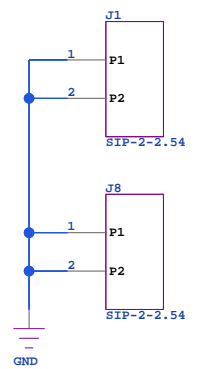
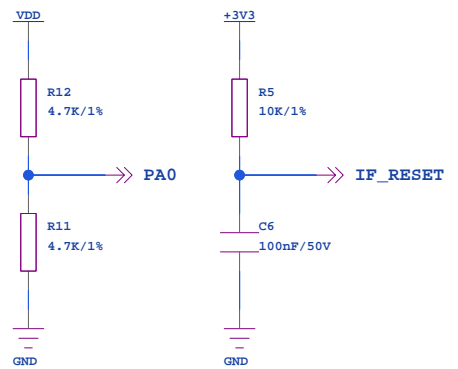
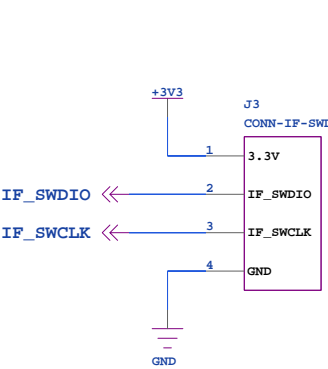
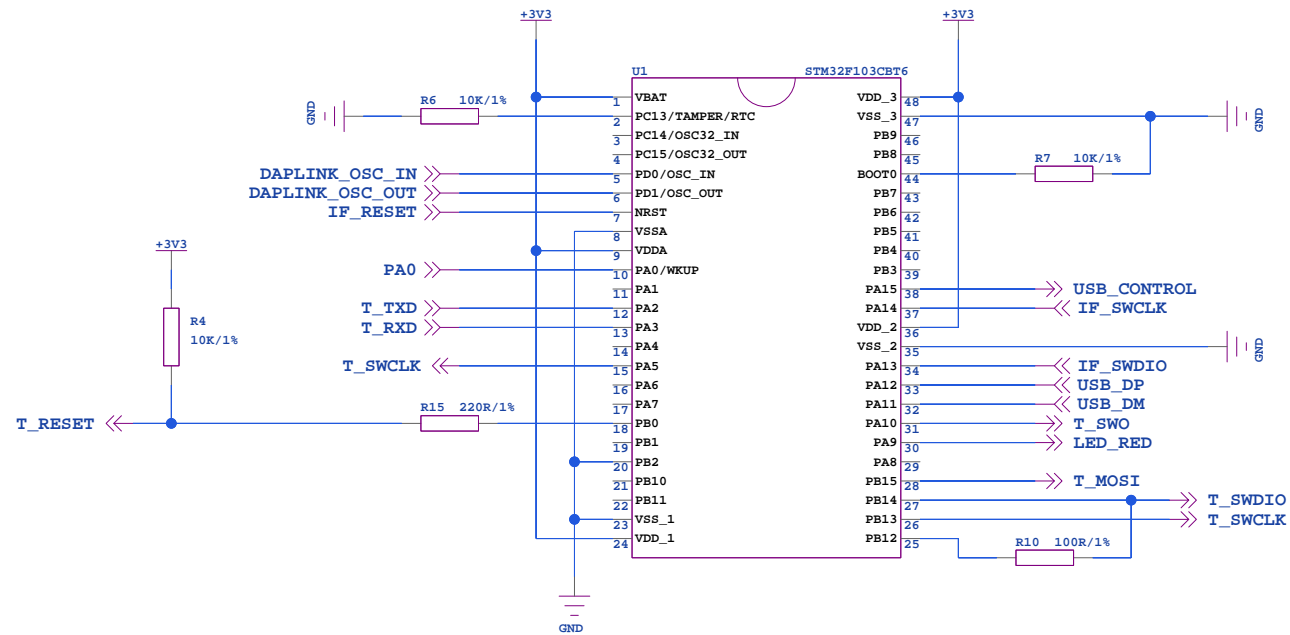
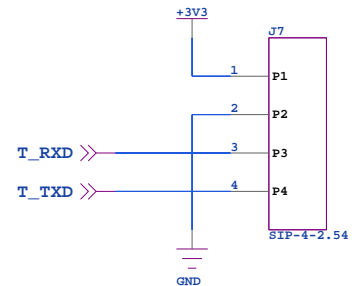
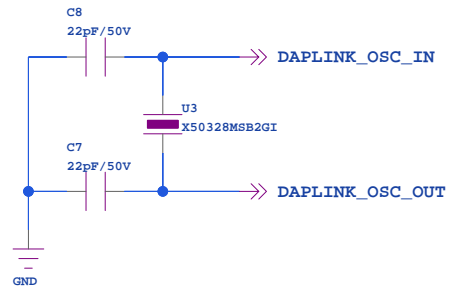
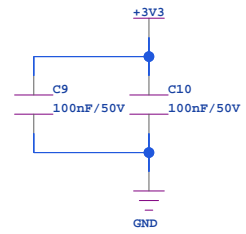
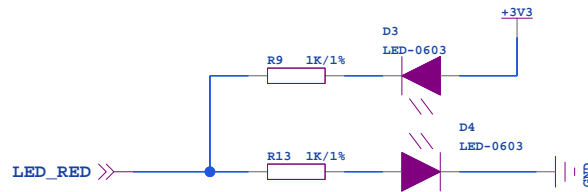
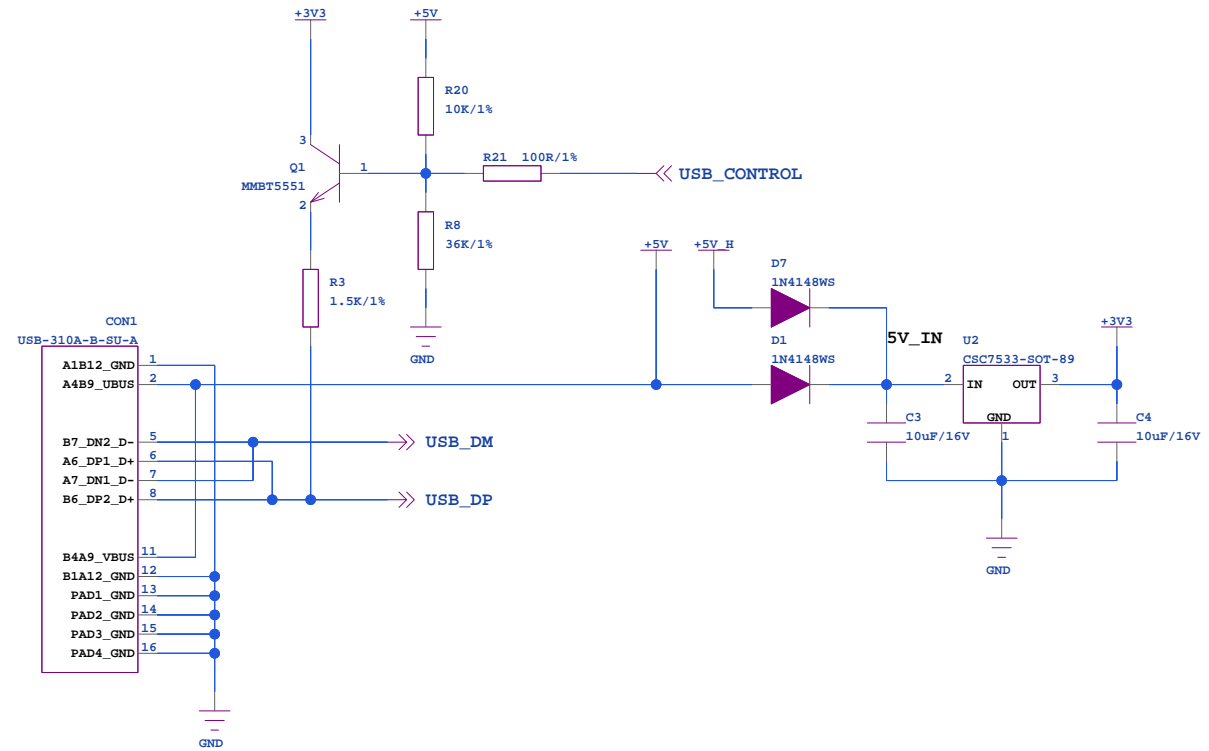


4

3

2

1



B

B

A

A

TITLE DAPLINK

SIZE	DWG NO	REV
B		

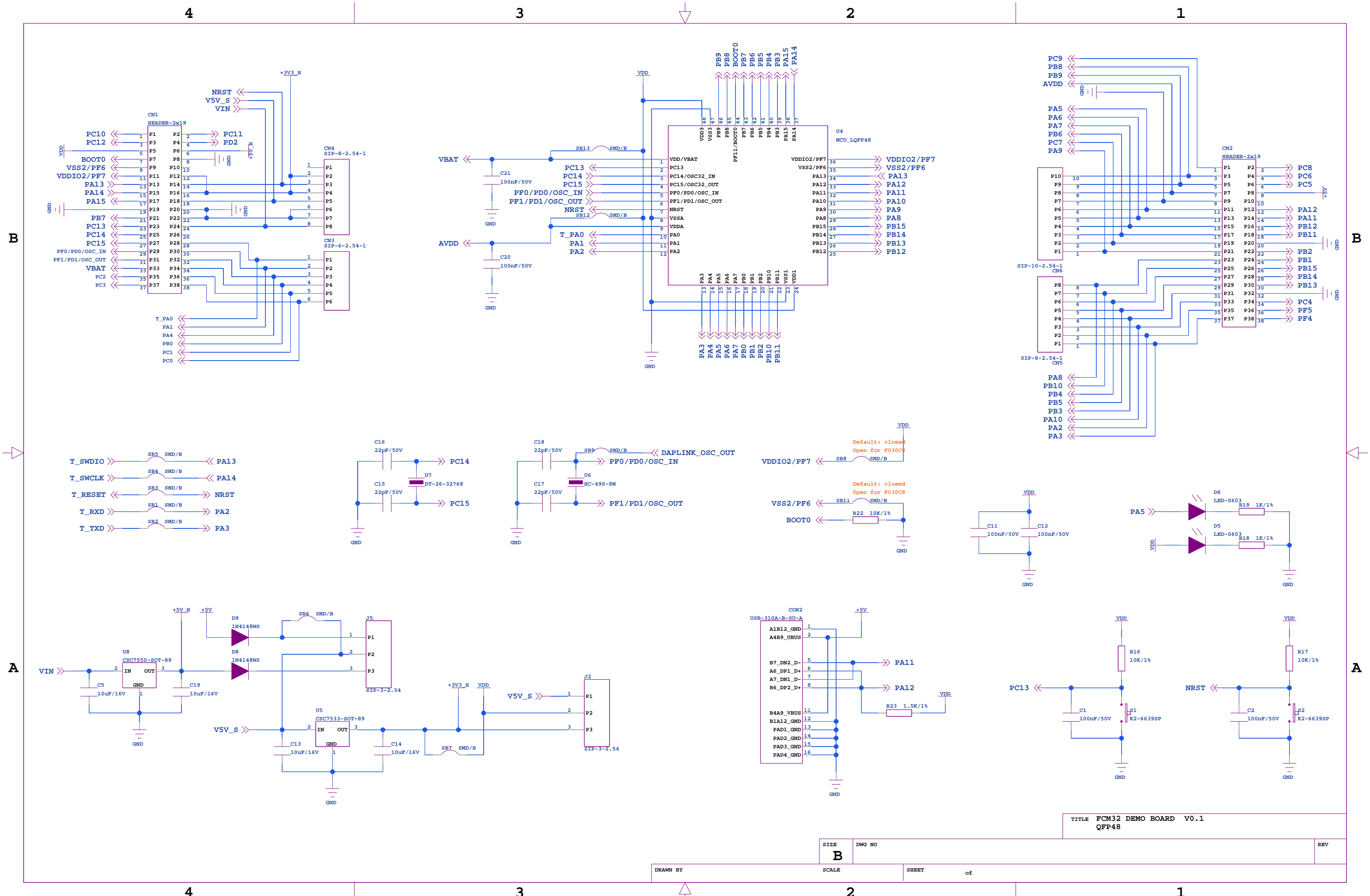
DRAWN BY	SCALE	SHEET	of

4

3

2

1



TITLE FCM32 DEMO BOARD V0.1
QFP48

SIZE	DWG NO	REV
B		
DRAWN BY	SCALE	SHEET of