

4

3

2

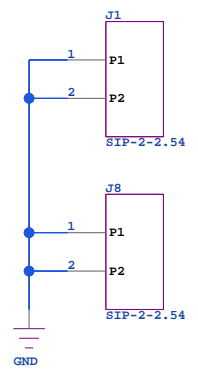
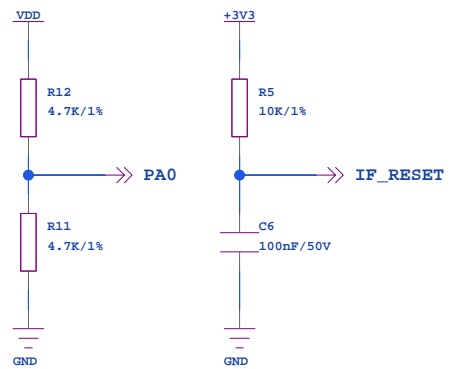
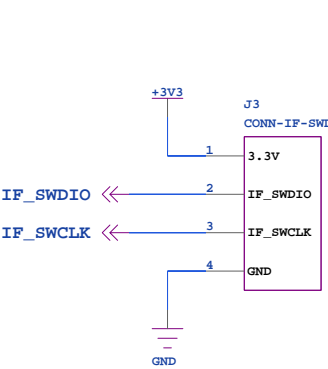
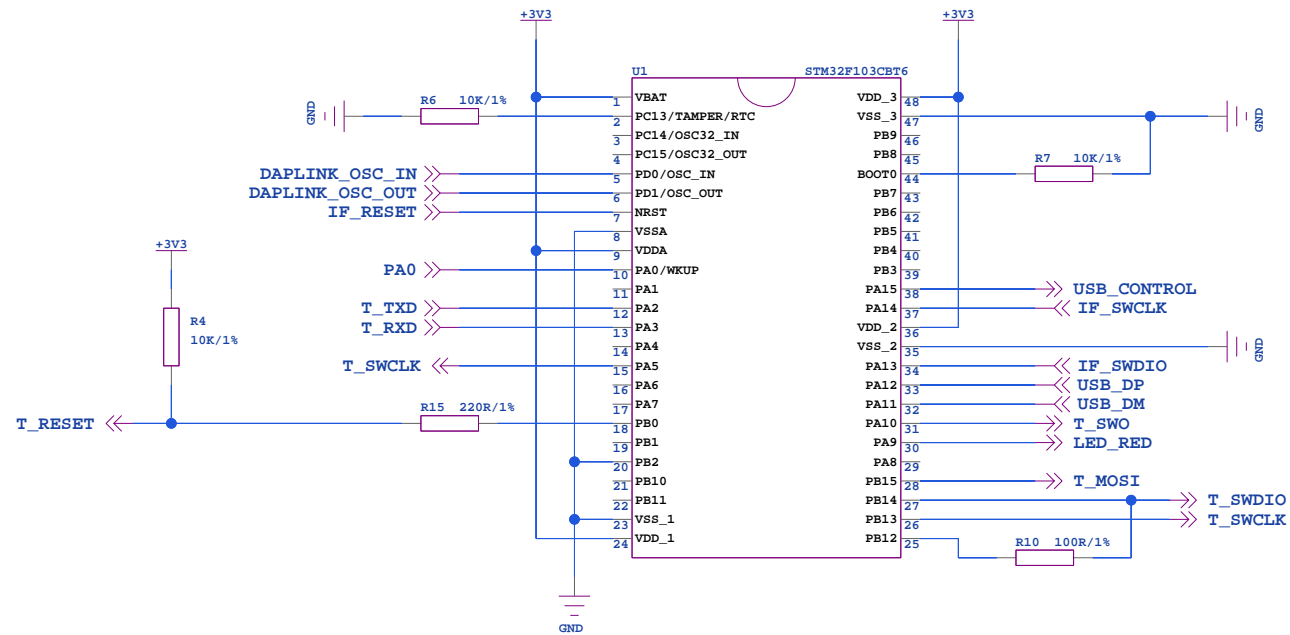
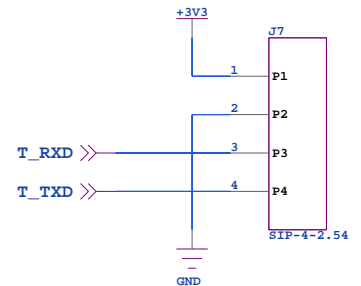
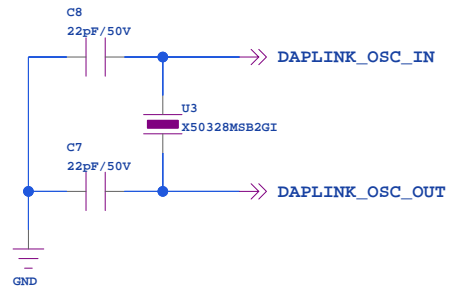
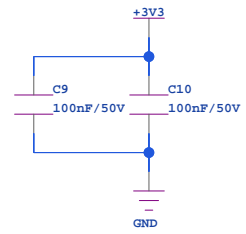
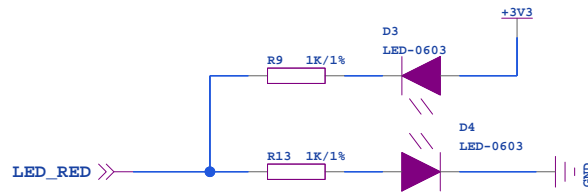
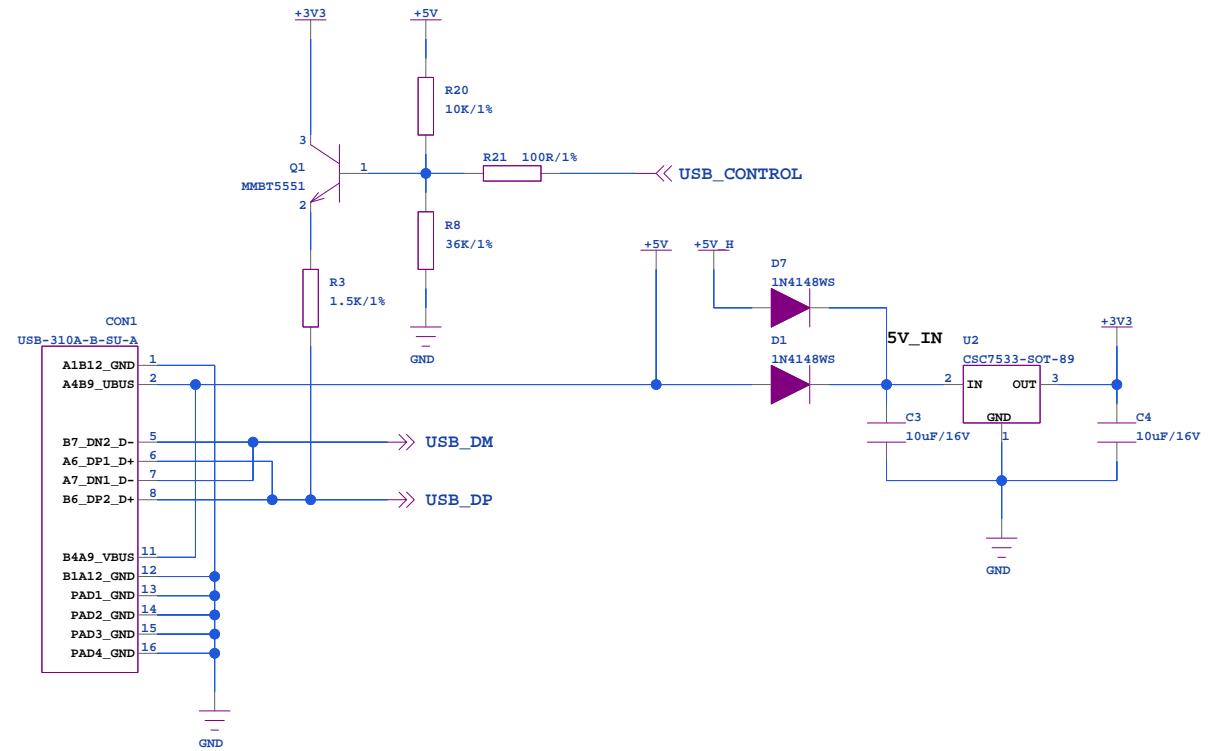
1

B

B

A

A



TITLE DAPLINK

| | | |
|------|--------|-----|
| SIZE | DWG NO | REV |
| B | | |

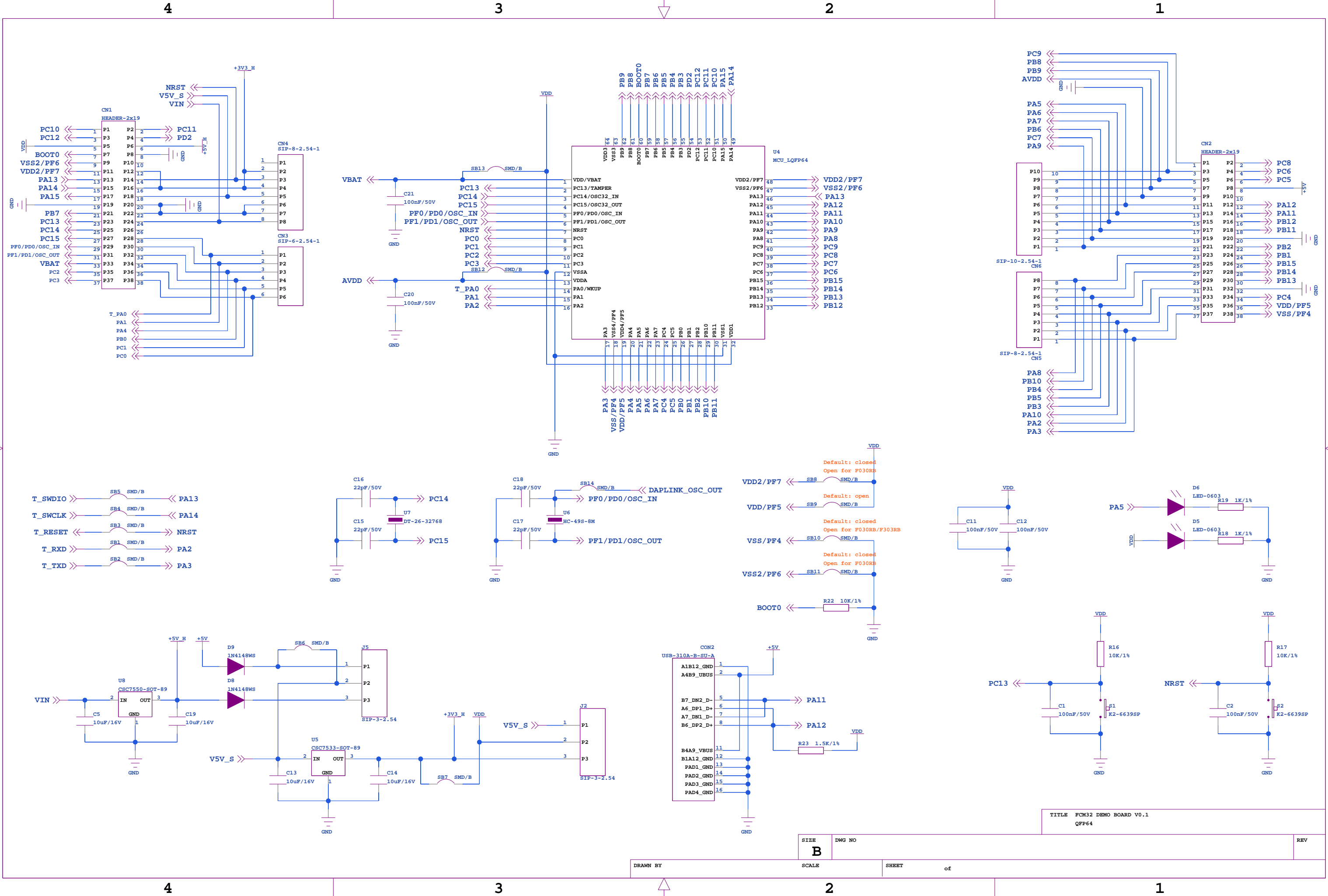
DRAWN BY _____ SCALE _____ SHEET _____ of _____

4

3

2

1



TITLE FCM32 DEMO BOARD V0.1
QFP64

| | | | | | |
|-------|---|--------|--------|-----|--|
| SIZE | B | DWG NO | | REV | |
| SCALE | | SHEET | 1 of 1 | | |

DRAWN BY